

KEY FEATURES

Comprehensive GNSS support, including GPS Modernization signals, GLONASS, and Galileo

Rugged Package ideal for vehicle applications

Bulkhead Mounting

Sub-centimeter phase center repeatability

The Trimble AV59 GNSS Antenna has been designed to support centimeter level accuracy on aerial, land and marine applications. The rugged 8 hole bulkhead mounting allows the antenna to be used in the most rugged of environments.

COMPREHENSIVE GNSS SUPPORT

The Trimble AV59 GNSS antenna offers support for present and future GNSS signals, including GPS L5, GLONASS and Galileo. This ensures that the antenna will operate with your present and most likely future GNSS receivers.

ROBUST, LOW-MULTIPATH GPS ANTENNA

The antenna resists unwanted signal interference or multipath, which can cause inaccurate measurements. Multipath is caused by signals being reflected from surfaces such as the ground, surrounding trees, or buildings.

FLEXIBILITY

The antenna is an aviation type of design. The bulkhead mounting ensures only the rugged radome is exposed to the elements. This is an ideal design for customers building machine control systems. The antenna can be mounted flush with the vehicle surface or on the top of a pole mount. The TNC connector is located on the underside of the unit ensuring the attached cable is also protected from the environment.



Trimble AV59 GNSS Antenna

TRIMBLE AV59 GNSS ANTENNA

PERFORMANCE

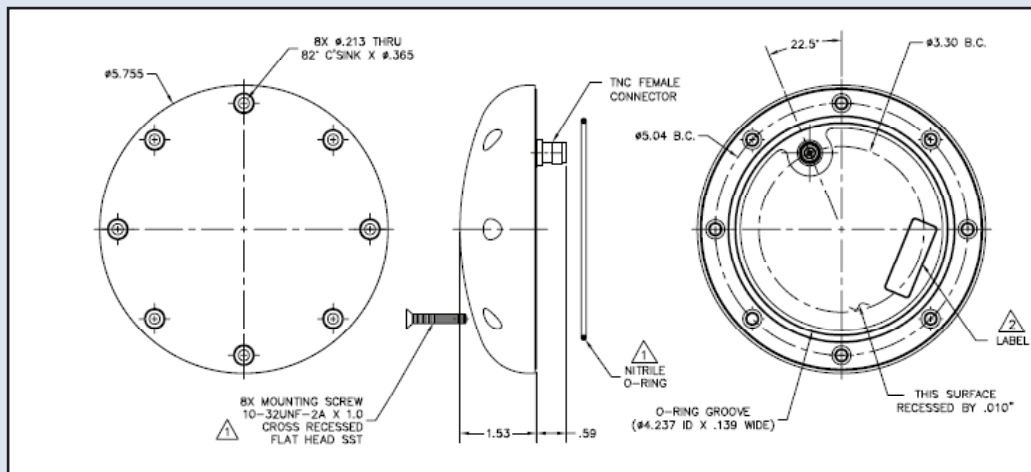
- Broad GNSS Frequency Tracking Band Including:
 - GPS: L1, L2, L5
 - GLONASS: L1, L2, L3
 - Galileo: E1, E2, E5,
 - SBAS: WAAS, EGNOS, QZSS, Gagan, MSAS, and OmniStar
- Quality signal tracking
- TNC female signal connector
- Small cross-sectional area to reduce wind loading
- Low voltage, low power consumption
- Integral low noise amplifier
- 8 recessed bulkhead mounting holes
- Powered by GNSS receiver via coaxial cable
- Rugged radome designed for machine environments
- High gain for reliable tracking in difficult environments

HARDWARE

- Dimensions.....14.62 cm diameter x 3.89 cm height
(5.575 in diameter x 1.53 in height)
- Weight.....0.30 kg (0.67lb)
- Operating Temperature.....-40 °C to +75 °C (-40 °F to +167 °F)
- Finish.....UV resistant white radome with aluminum base
- ComplianceROHS

ELECTRICAL

- Signal gain.....39 dB
- Voltage.....4.2 V DC to 15 V DC
- Polarization.....Right Hand Circular
- Axial Ratio.....3 dB Max @ boresight
- Amplifier.....Noise Figure : 2.6 dBMax
Impedance : 50 Ohms
VSWR : ≤ 2.0:1



© 2009, Trimble Navigation Limited. All rights reserved. Trimble and the Globe & Triangle logo are trademarks of Trimble Navigation Limited, registered in the United States and in other countries. All other trademarks are the property of their respective owners.



www.trimble.com

AMERICAS & ASIA-PACIFIC
TRIMBLE NAVIGATION LIMITED
 510 DeGuigne Drive
 Sunnyvale, CA 94085
 USA
 +1-408-481-8000 Phone
 +1-408-481-8984 Fax

EUROPE & MIDDLE EAST
TRIMBLE NAVIGATION LIMITED
 HAL Trade Center
 Bevelandseweg 150
 1703 AX Heerhugowaard
 Netherlands
 +31-725-724-408 Phone
 +31-725-348-288 Fax